

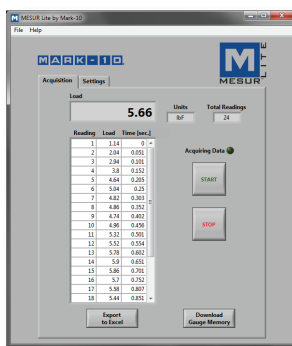


Series TT03 digital torque gauges are designed for clockwise and counter-clockwise torque testing applications in virtually every industry, with capacities from 10 ozFin to 100 lbFin (7 to 1,150 Ncm). A dedicated remote torque sensor with Jacobs chuck can be used to grip a sample, bit, or fixture. The gauges' rugged aluminum housing allows for hand-held use or test stand mounting for more sophisticated testing requirements.

Series TT03 features a sampling rate of 2,000 Hz, producing accurate results under a wide range of test conditions. A backlit graphic LCD displays large characters, and a menu is available to access the gauges' features and configurable parameters. USB output is provided for data collection purposes.

Set point indicators are provided for pass-fail testing. The gauges are overload protected to 150% of capacity, and an analog load bar is shown on the display for graphical representation of applied torque.

The gauges include MESUR™ Lite data acquisition software. Currently displayed readings may be sent to MESUR™ Lite for tabulation and one-click export to Excel for further data manipulation.



^ MESUR Lite data acquisition software is included with Series TT03 gauges

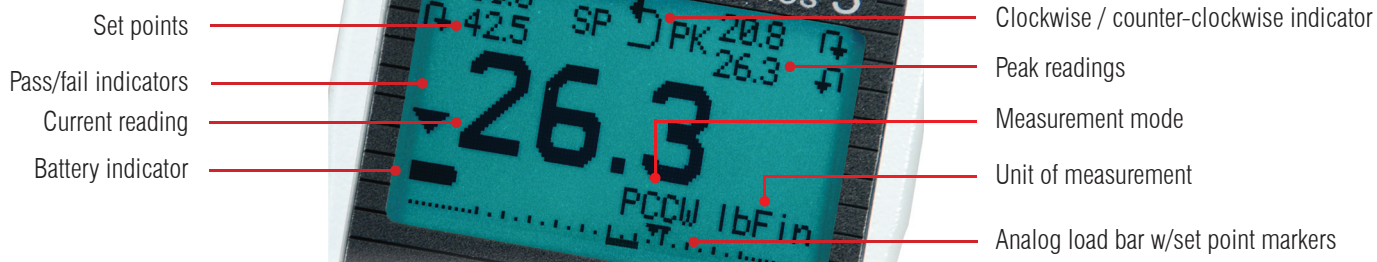


^ Optional AC1008 tabletop mounting stand

Features

- Ergonomic torque sensor with Jacobs chuck
- Peak torque values saved and displayed
- High-speed 2,000 Hz sampling rate
- USB data output
- Programmable set points with pass/fail indicators
- Live load bar graph with set point markers
- Peak CW and CCW readings always displayed
- Set points always displayed
- Configurable audio alarms and key tones
- MESUR™ Lite data collection software included

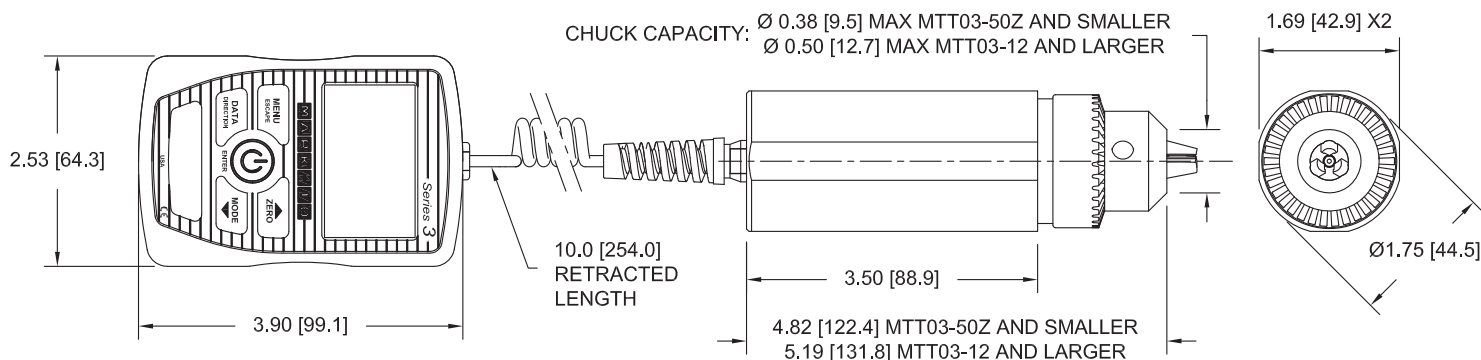
Display Indicators



Specifications

Accuracy:	±0.5% of full scale ±1 digit
Sampling Rate:	2,000 Hz
Power:	AC or rechargeable battery. Multi-step low battery indicator is displayed, gauge shuts off automatically when power is too low.
Battery life:	Backlight on: up to 7 hours of continuous use Backlight off: up to 24 hours of continuous use
Measurement Units:	ozFin, lbFin, kgFmm, Ncm (depending on model)
USB Output:	Individual data point output by pressing DATA key. Configurable up to 115,200 baud.
Configurable settings:	Digital filters, USB output, automatic shutoff, default settings, key tones, audio alarms, calibration.
Safe overload:	150% of full scale (display shows "OVER" at 110% and above)
Weight:	1.8 [0.8 kg]
Included items:	Carrying case, universal voltage AC adapter, battery, quick-start guide, USB cable, resource CD (USB driver, MESUR™ Lite software, MESUR™ gauge DEMO software, and user's guide), and NIST-traceable certificate of calibration (certificate with data is available for an additional charge).
Environmental requirements:	40 - 100°F, max. 96% humidity, non-condensating
Warranty:	3 years (see individual statement for further details)

Dimensions in [mm]



Optional Items

AC1008	Tabletop mounting kit
--------	-----------------------

Capacity & Resolution

Model No.	ozFin	lbFin	kgFmm	Ncm
MTT03-10Z	10 x 0.01	-	7 x 0.005	7 x 0.005
MTT03-20Z	20 x 0.02	-	14 x 0.01	14 x 0.01
MTT03-50Z	50 x 0.05	-	36 x 0.05	35 x 0.05
MTT03-12	192 x 0.1	12 x 0.01	-	135 x 0.1
MTT03-50	800 x 0.5	50 x 0.05	-	570 x 0.5
MTT03-100	1600 x 0.5	100 x 0.1	-	1150 x 1

Certificate of calibration with data is available. Part no. is: CERT.

All models include 110V AC adapters, unless ordered as below:

Add suffix 'E' for euro plug (220V), 'U' for UK plug (220V) or 'A' for Australian plug (220V).

Example: MTT03-50ZE, MTT03-50U, MTT03-100A